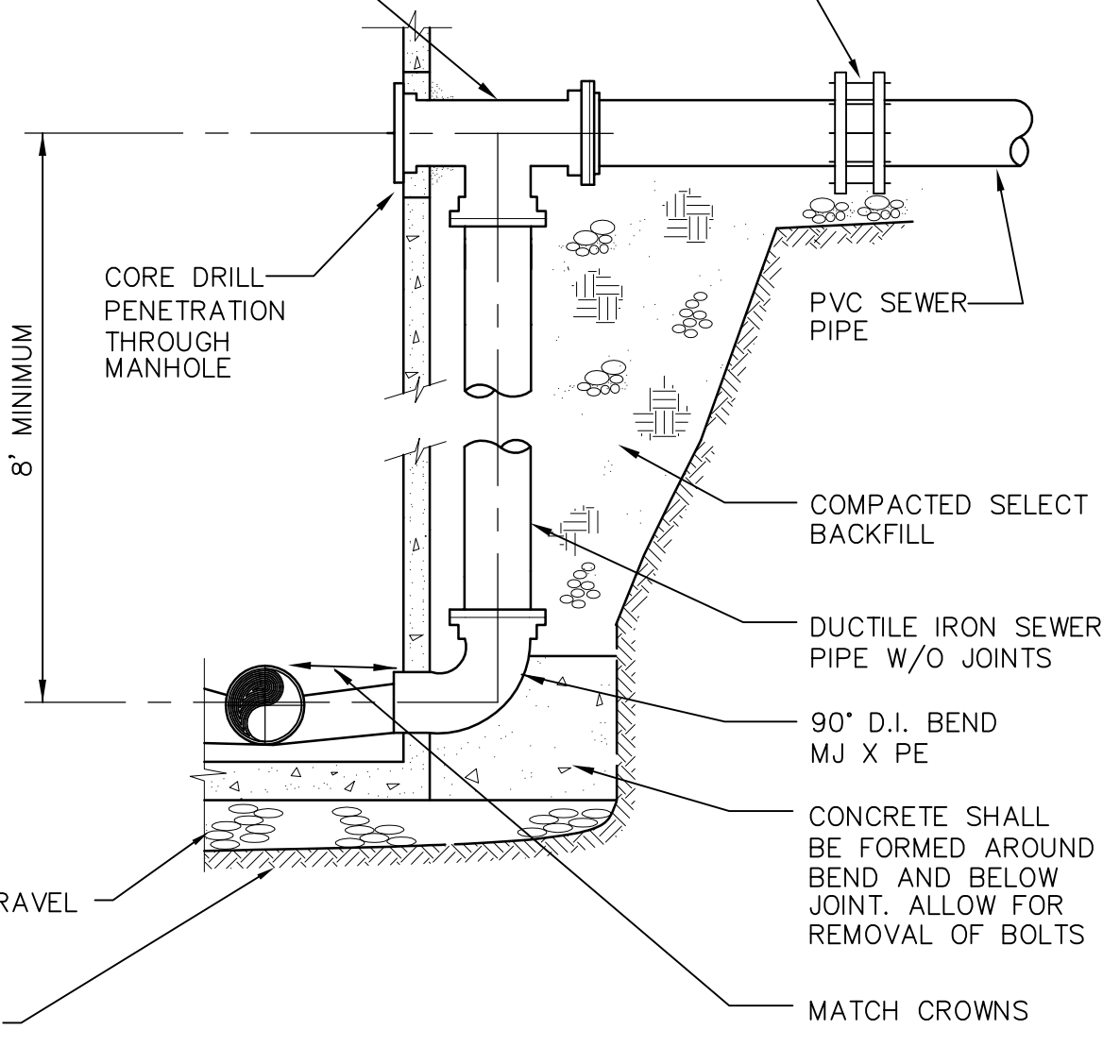


DUCTILE IRON TEE
GROUT IN PLACE

D.I. TO P.V.C.
CONNECTION



FOUNDATION GRAVEL

UNDISTURBED
EARTH

COMPACTED SELECT
BACKFILL

DUCTILE IRON SEWER
PIPE W/O JOINTS

90° D.I. BEND
MJ X PE

CONCRETE SHALL
BE FORMED AROUND
BEND AND BELOW
JOINT. ALLOW FOR
REMOVAL OF BOLTS

MATCH CROWNS

NOTES:

1. USE OF DROP MANHOLE REQUIRES DISTRICT APPROVAL.
2. DROP HEIGHT MUST BE GREATER THAN 8 FEET FOR CONSIDERATION.
3. DROP CONNECTIONS WILL ONLY BE CONSIDERED AT JUNCTIONS WITH AN EXISTING DEEP MAIN FOR LATERAL SEWERS TO BE BUILT IN THE FUTURE.

OUTSIDE DROP MANHOLE
(IF APPROVED BY DISTRICT)

Silver Lake Water and Sewer District
STANDARD DETAILS