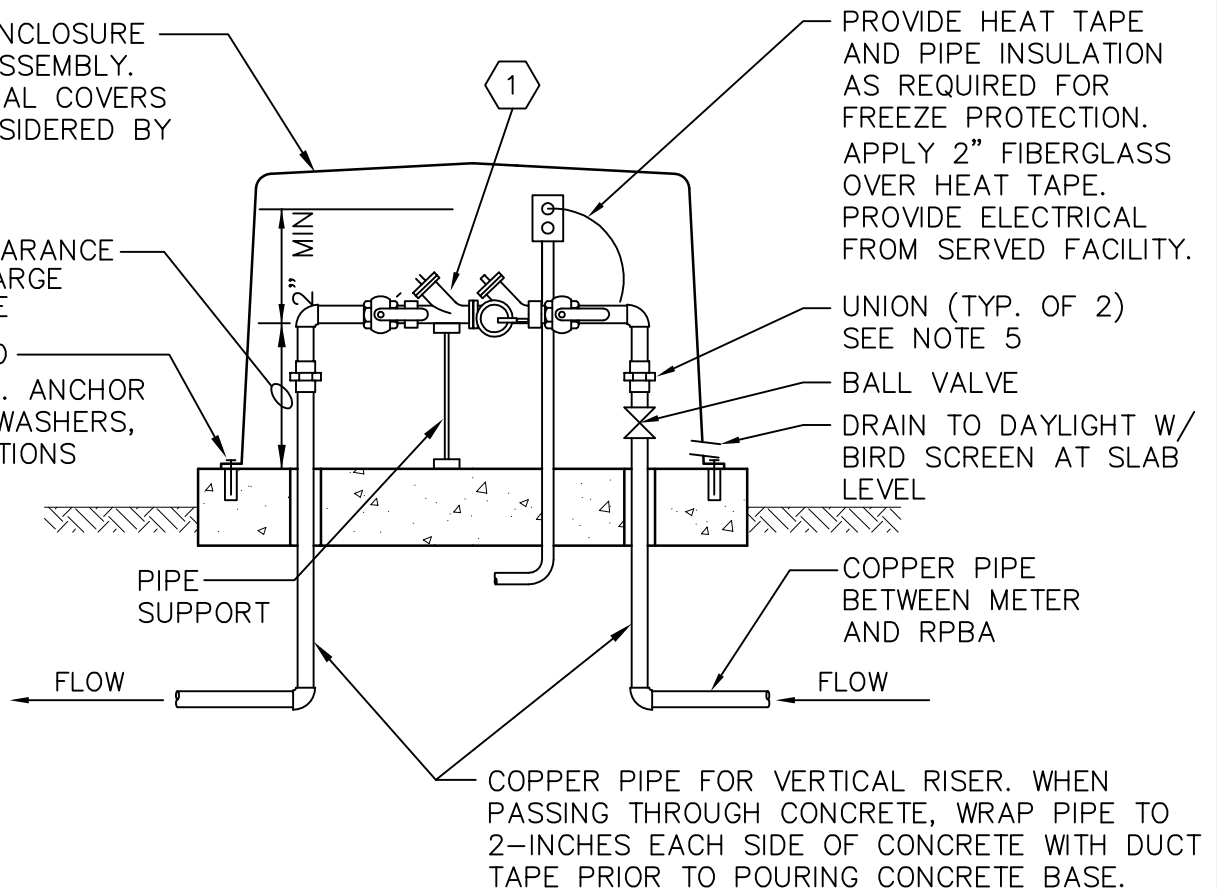


INSULATED ENCLOSURE  
SIZED FOR ASSEMBLY.  
ARCHITECTURAL COVERS  
WILL BE CONSIDERED BY  
DISTRICT.

12" MIN. CLEARANCE  
FROM DISCHARGE  
TO CONCRETE

BOLT TO PAD  
W/ 3/8" S.S. ANCHOR  
BOLTS AND WASHERS,  
MIN. 4 LOCATIONS



PROVIDE HEAT TAPE  
AND PIPE INSULATION  
AS REQUIRED FOR  
FREEZE PROTECTION.  
APPLY 2" FIBERGLASS  
OVER HEAT TAPE.  
PROVIDE ELECTRICAL  
FROM SERVED FACILITY.

UNION (TYP. OF 2)  
SEE NOTE 5

BALL VALVE

DRAIN TO DAYLIGHT W/  
BIRD SCREEN AT SLAB  
LEVEL

COPPER PIPE  
BETWEEN METER  
AND RPBA

COPPER PIPE FOR VERTICAL RISER. WHEN  
PASSING THROUGH CONCRETE, WRAP PIPE TO  
2-INCHES EACH SIDE OF CONCRETE WITH DUCT  
TAPE PRIOR TO POURING CONCRETE BASE.

1 WASHINGTON STATE APPROVED REDUCED PRESSURE BACKFLOW ASSEMBLY (RPBA)  
WITH TEST COCK PROTECTION AND BRONZE BODY BALL VALVE AT EACH END.

NOTES:

1. CONCRETE TO BE 2500 PSI (MINIMUM) MIX WITH AIR ENTRAINMENT.
2. COMPLETE ALL WORK IN ACCORDANCE WITH STATE, DISTRICT AND MANUFACTURER STANDARDS.
3. SYSTEM SHALL NOT BE PUT INTO SERVICE UNTIL RPBA IS APPROVED BY THE DISTRICT AND TESTED/CERTIFIED BY A WASHINGTON STATE LICENSED TESTER.
4. RPBA IS CONSIDERED PART OF THE PRIVATE SYSTEM AND SHALL BE MAINTAINED BY THE PROPERTY OWNER WITH ANNUAL CERTIFICATION REQUIRED.
5. DIELECTRIC UNIONS SHALL BE USED TO SEPARATE DISSIMILAR MATERIALS.
6. NO BRANCH CONNECTIONS ALLOWED BETWEEN METER AND RPBA.

**REDUCED PRESSURE BACKFLOW  
ASSEMBLY-3/4" TO 2"**

**Silver Lake Water and Sewer District**  
STANDARD DETAILS